

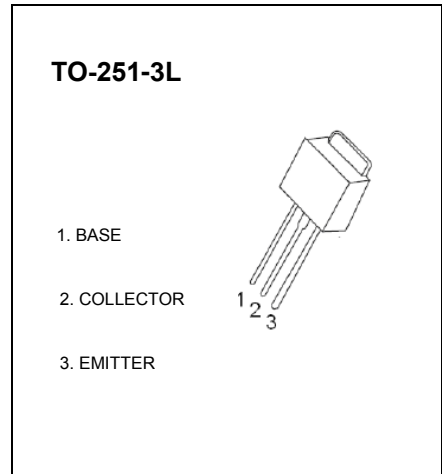


TO-251-3L Plastic-Encapsulate Transistors

2SB1261-Z TRANSISTOR (PNP)

FEATURES

- High h_{FE}
- LOW $V_{CE(sat)}$



MAXIMUM RATINGS ($T_a=25\text{ }^\circ\text{C}$ unless otherwise noted)

Symbol	Parameter	Value	Unit
V_{CBO}	Collector-Base Voltage	-60	V
V_{CEO}	Collector-Emitter Voltage	-60	V
V_{EBO}	Emitter-Base Voltage	-7	V
I_C	Collector Current -Continuous	-3	A
P_D	Collector Power Dissipation	1	W
T_J	Junction Temperature	150	$^\circ\text{C}$
T_{stg}	Storage Temperature	-55-150	$^\circ\text{C}$

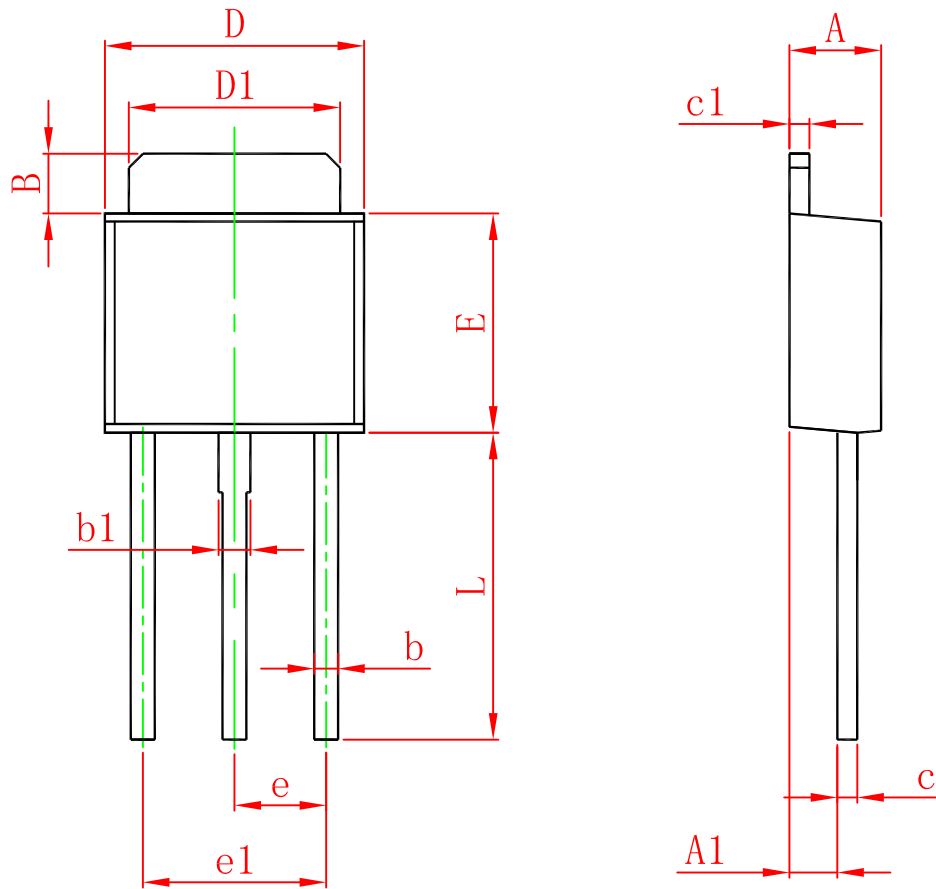
ELECTRICAL CHARACTERISTICS ($T_a=25^\circ\text{C}$ unless other wise specified)

Parameter	Symbol	Test conditions	Min	Typ	Max	Unit
Collector-base breakdown voltage	$V_{(BR)CBO}$	$I_C=-100\mu\text{A}, I_E=0$	-60			V
Collector-emitter breakdown voltage	$V_{(BR)CEO}$	$I_C=-1\text{mA}, I_B=0$	-60			V
Emitter-base breakdown voltage	$V_{(BR)EBO}$	$I_E=-100\mu\text{A}, I_C=0$	-7			V
Collector cut-off current	I_{CBO}	$V_{CB}=-60\text{V}, I_E=0$			-10	μA
Emitter cut-off current	I_{EBO}	$V_{EB}=-7\text{V}, I_C=0$			-10	μA
DC current gain	$h_{FE(1)}$	$V_{CE}=-2\text{V}, I_C=-200\text{mA}$	60			
	$h_{FE(2)}$	$V_{CE}=-2\text{V}, I_C=-600\text{mA}$	100		400	
	$h_{FE(3)}$	$V_{CE}=-2\text{V}, I_C=-2\text{A}$	50			
Collector-emitter saturation voltage	$V_{CE(sat)}$	$I_C=-1.5\text{A}, I_B=-150\text{mA}$			-0.3	V
Base-emitter saturation voltage	$V_{BE(sat)}$	$I_C=-1.5\text{A}, I_B=-150\text{mA}$			-1.2	V
Transition frequency	f_T	$V_{CE}=-5\text{V}, I_C=-1.5\text{A}$		50		MHz
Collector output capacitance	C_{ob}	$V_{CB}=-10\text{V}, I_E=0, f=1\text{MHz}$		40		pF
Switching Time	Turn on Time	$V_{CC}=-10\text{V}, I_C=-1\text{A}, I_{B1}=-I_{B2}=-0.1\text{A}, R_L=10\Omega$		0.5		μs
	Storage Time			2.0		
	Fall Time			0.5		

CLASSIFICATION OF $h_{FE(2)}$

Rank	M	L	K
Range	100-200	160-320	200-400

TO-251-3L Package Outline Dimensions



Symbol	Dimensions In Millimeters		Dimensions In Inches	
	Min.	Max.	Min.	Max.
A	2.200	2.400	0.087	0.094
A1	1.050	1.350	0.042	0.054
B	1.350	1.650	0.053	0.065
b	0.500	0.700	0.020	0.028
b1	0.700	0.900	0.028	0.035
c	0.430	0.580	0.017	0.023
c1	0.430	0.580	0.017	0.023
D	6.350	6.650	0.250	0.262
D1	5.200	5.400	0.205	0.213
E	5.400	5.700	0.213	0.224
e	2.300 TYP.		0.091 TYP.	
e1	4.500	4.700	0.177	0.185
L	7.500	7.900	0.295	0.311