

CUSTOMER DATA

PART NO.

V23086-C1001-A403

SHT. 1

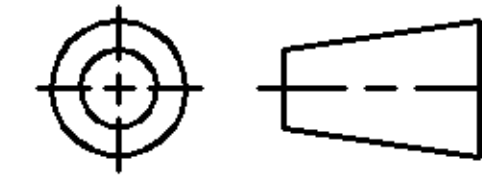
OF 2

DRAWN E.RAYMER	APPROVAL J.FEIL	DATE 01-12-05	SCALE 1 : 1
-------------------	--------------------	------------------	----------------

CUSTOMER
TYCO STANDARD

INFORMATION CONTAINED HEREIN SHALL NOT BE COPIED OR DUPLICATED, AND SHALL REMAIN THE SOLE PROPERTY OF TYCO ELECTRONICS.

TOLERANCE UNLESS SPECIFIED OTHERWISE	MILLIMETERS		
	0	=	+/-0.3
	0.X	=	+/-0.2
	0.XX	=	+/-0.1
	ANGLES	=	+/-1°



CHANGES

DO NOT SCALE THIS DRAWING

REV.	DATE	CO	APP.
	02-23-05	CORRECT DIM	EDS S.S.
	07-14-05	CHG; DATA	EDS S.S.

ELECTRICAL CHARACTERISTICS:

(ALL DATA APPLIES @ 23°C UNLESS OTHERWISE SPECIFIED)

COIL DATA:

NOMINAL VOLTAGE:	12 VDC
OPERATE VOLTAGE:	6.9 VDC MAXIMUM
RELEASE VOLTAGE:	1.5 VDC MINIMUM
COIL RESISTANCE:	254 OHMS ±10%
OPERATE TIME:	TYP. 3 mSEC. EXCLUDING BOUNCE (10 mSEC. MAX)
RELEASE TIME:	TYP. 1.5 mSEC. EXCLUDING BOUNCE (10 mSEC. MAX)
TEMPERATURE RANGE:	OPERATE -40°C TO +125° C (APPLICATION DEPENDANT)

CONTACT DATA:

CONTACT ARRANGEMENT:	1 FORM C (SPDT)
CONTACT MATERIAL:	AgSnO ₂ (SILVER TIN OXIDE)
INITIAL CONTACT MILLIVOLT DROP:	30mV @ 10A TYPICAL / 300mV @ 10A MAX
MAXIMUM MAKE CURRENT:	40A
MAXIMUM BREAK CURRENT:	30A
MINIMUM RECOMMENED SWITCHING - CURRENT:	500mA @ 12 Vdc
MAXIMUM CONTINUOUS CURRENT:	12A/15A @ +125°C ; 15A/20A @ +105°C
INITIAL BREAKDOWN VOLTAGE:	500V RMS CONTACTS TO COIL

EXPECTED LIFE: 300,000 OPERATIONS, 20A, 13.5 VDC RESISTIVE ON NORMALLY OPEN CONTACTS

MECHANICAL CHARACTERISTICS:

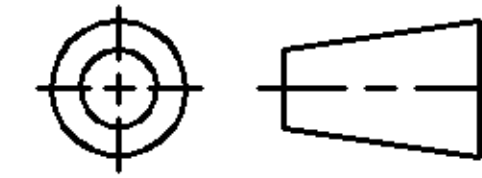
EXPECTED LIFE: 5 MILLION OPERATIONS, NO CONTACT LOAD

DRAWN E.RAYMER	APPROVAL J.FEIL	DATE 01-12-05	SCALE 1 : 1
-------------------	--------------------	------------------	----------------

INFORMATION CONTAINED HEREIN SHALL NOT BE COPIED OR DUPLICATED, AND SHALL REMAIN THE SOLE PROPERTY OF TYCO ELECTRONICS.

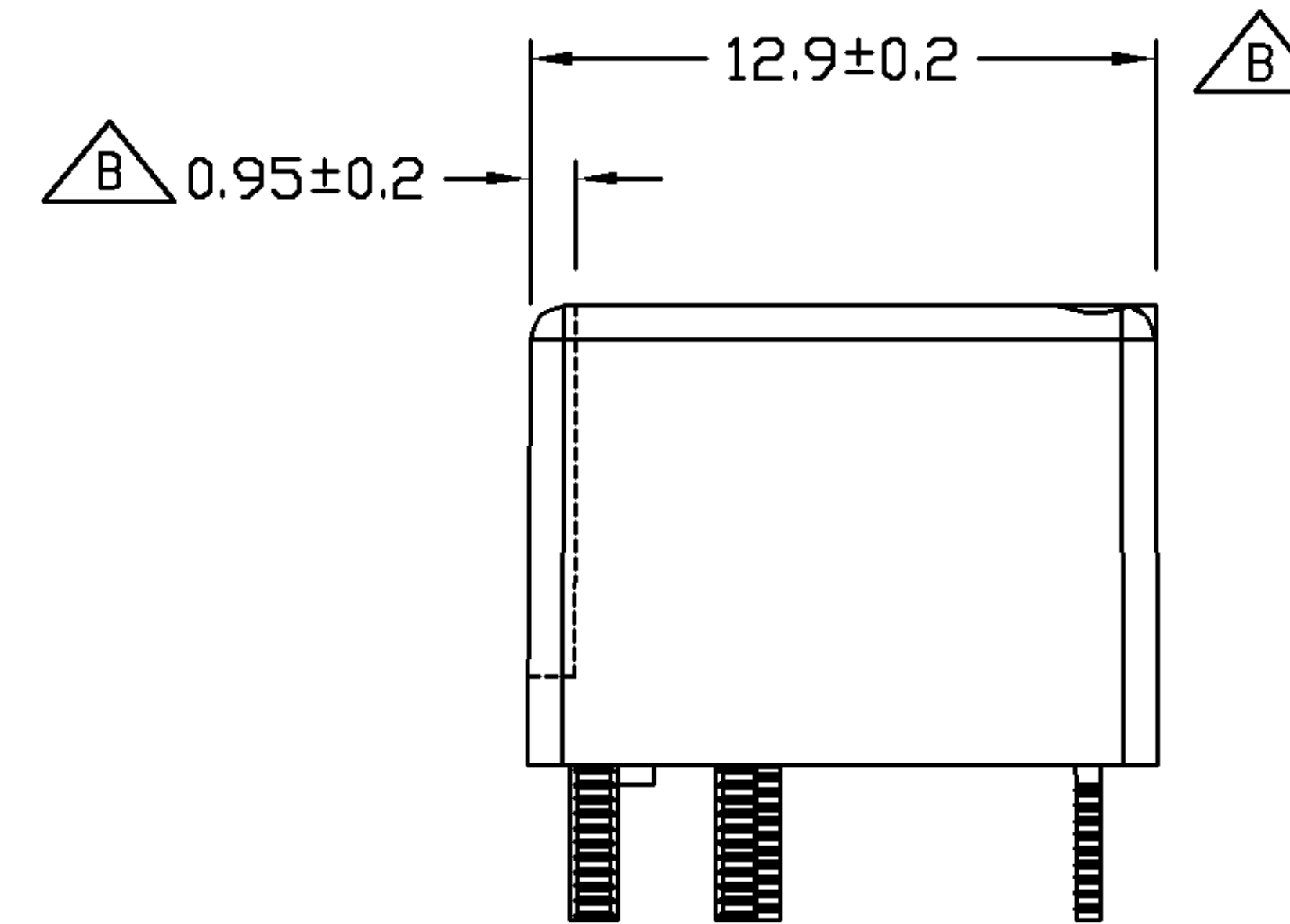
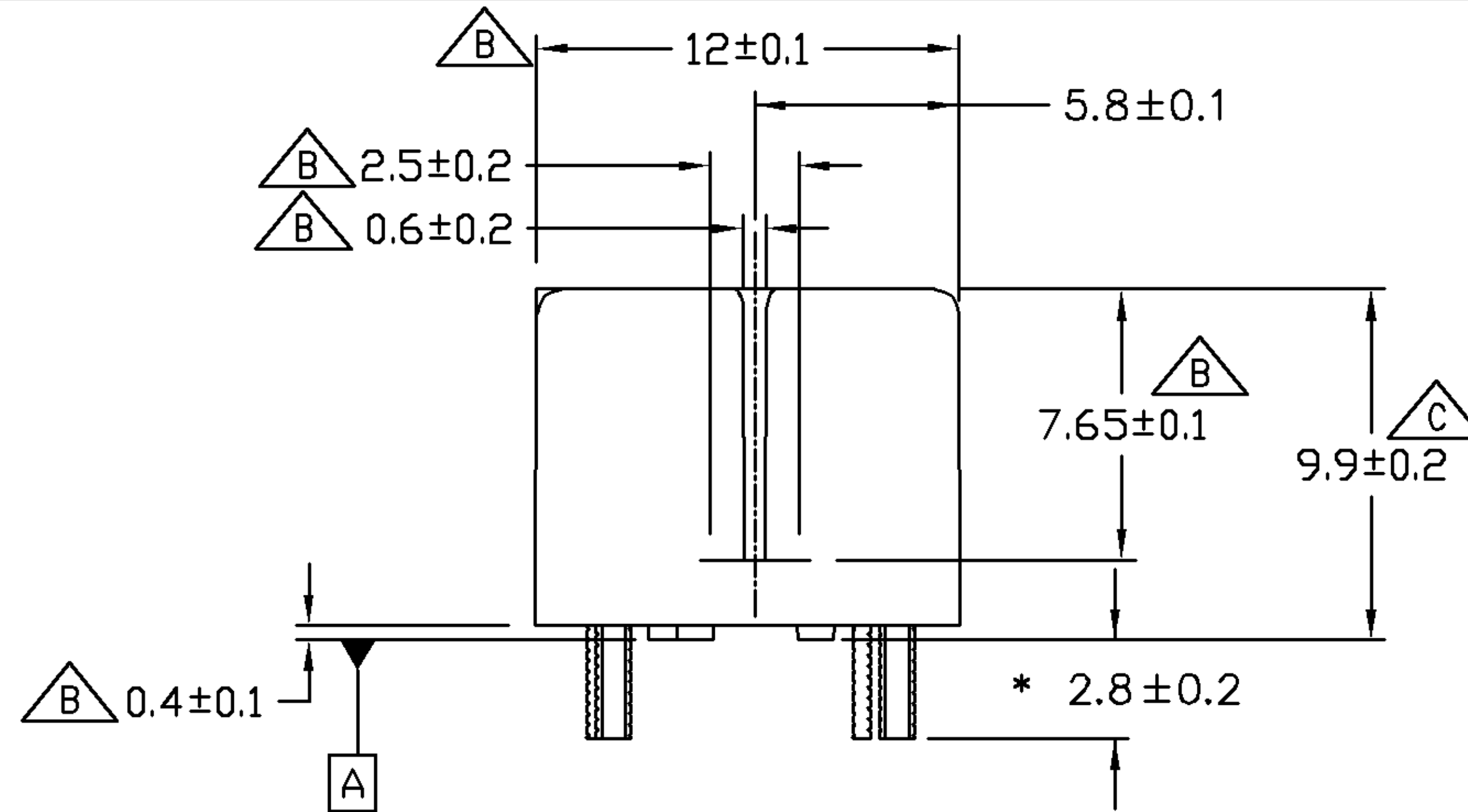
TOLERANCE UNLESS SPECIFIED OTHERWISE

MILLIMETERS	
0	= ± 0.3
0.X	= ± 0.2
0.XX	= ± 0.1
ANGLES	= $\pm 1^\circ$

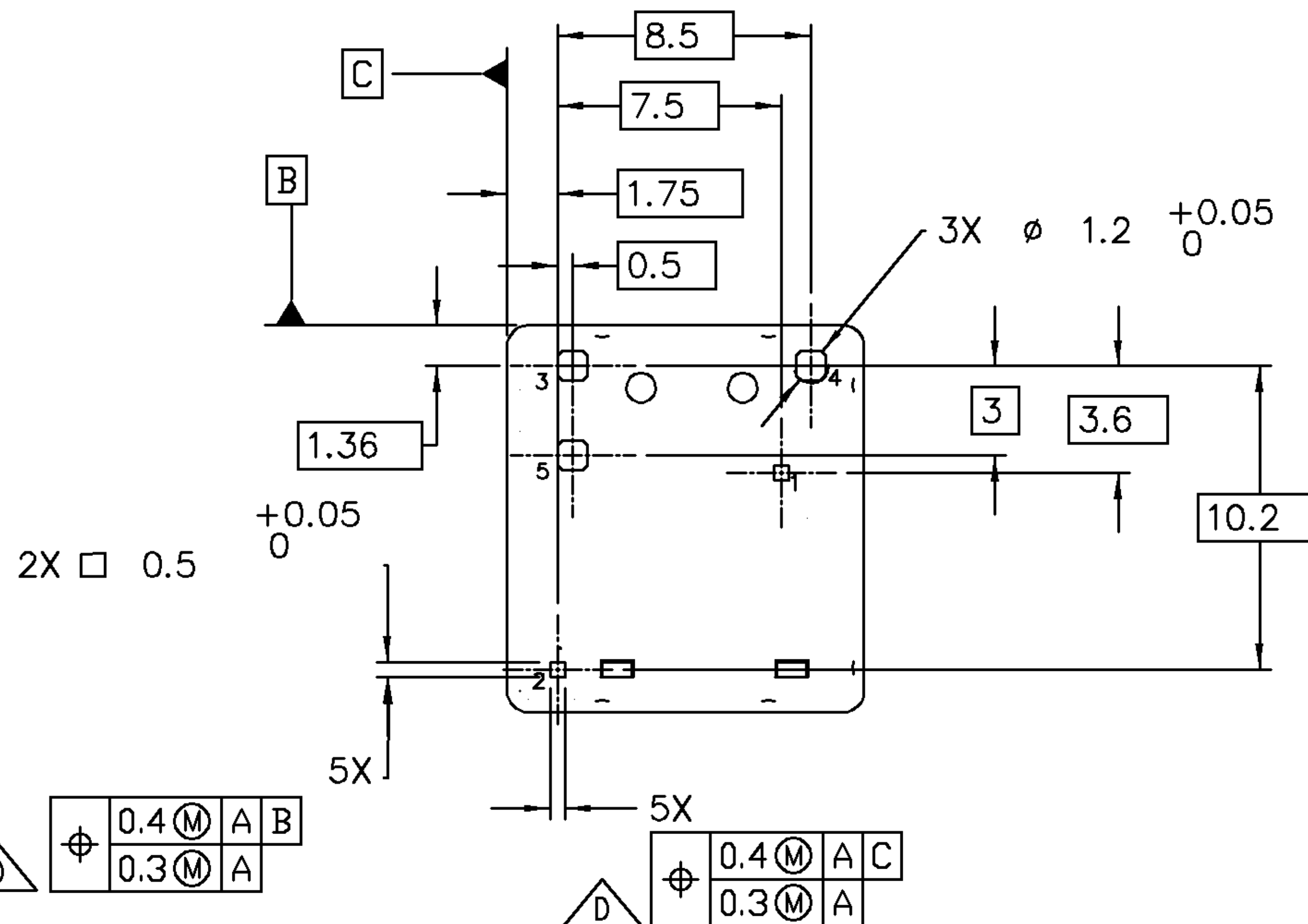


DO NOT SCALE THIS DRAWING

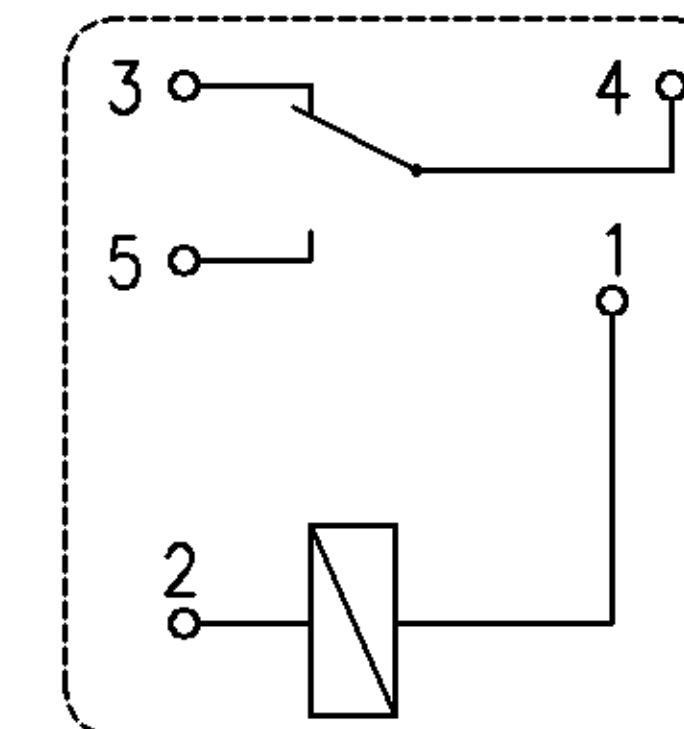
REV. E



* ADDITIONAL TIN TIPS
MAX. 1 mm.



CIRCUIT DIAGRAM



D	∅	0.4 (M)	A	B
		0.3 (M)	A	

D	∅	0.4 (M)	A	C
		0.3 (M)	A	